

TBS03303B
(On/Off Switch)



TBS03304B
(2Modes, On/Off Switch)



FEATURES

- Elegant appearance.
- Beautiful curves reveal elegant taste.
- Easy installation and usage.

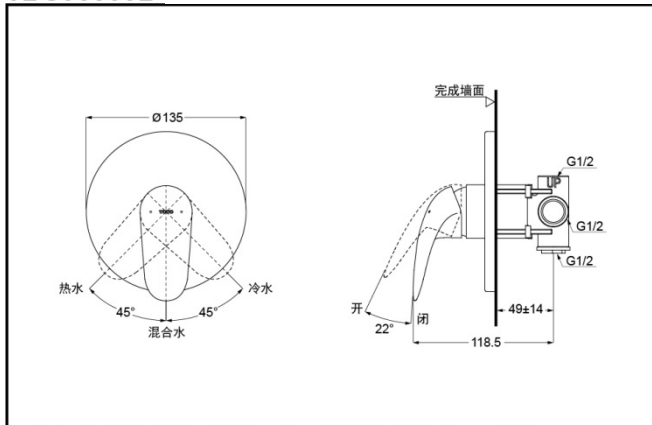
SPECIFICS

Water Inlet Requirement :
0.05MPa(Dynamic Pressure)~1.0MPa(Static Pressure)

Others

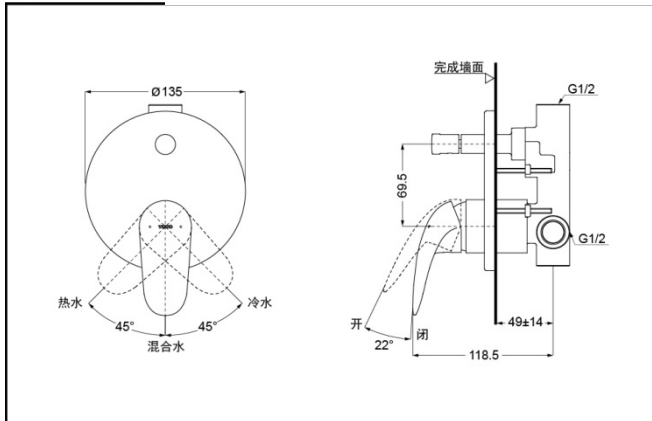
Series : LC
Recommend fittings :
LC series Shower

TBS03303B Wall-Mount Mixer/Valve



*TOTO(CHINA) CO.,LTD. All rights reserved.

TBS03304B Wall-Mount Mixer/Valve



*TOTO(CHINA) CO.,LTD. All rights reserved.